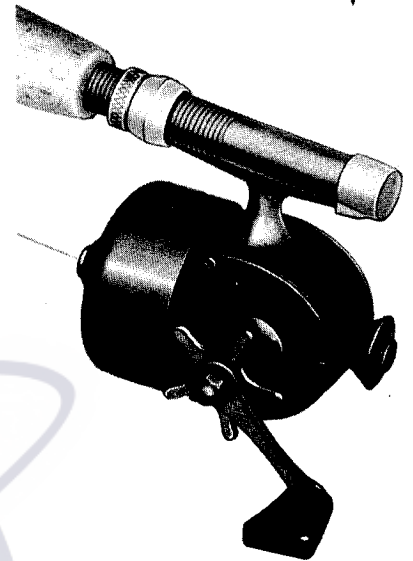
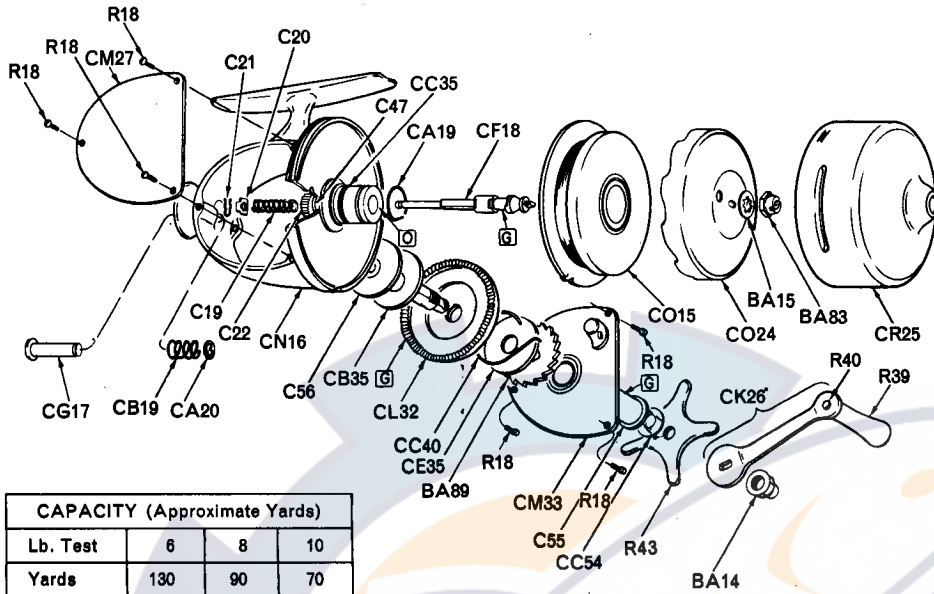


PUSH BUTTON SPINNING REEL NO. 23



CAPACITY (Approximate Yards)			
Lb. Test	6	8	10
Yards	130	90	70

PARTS LIST

PART NO.	DESCRIPTION	PRICE	PART NO.	DESCRIPTION	PRICE
CR25	Outer Cone Assembly	\$ 1.10	CB35	Friction Washer	FR5374 .15
CO24	Pickup Housing	E5984K .50	CE35	Friction Washer	FR5958 .10
BA83	Pickup Nut	B5573N .15	BA89	Ratchet	E5564 .10
BA15	Pickup Nut Lock Washer	E5676 .02	C55	Gear Stem Sleeve	E5559 .60
CO15	Spool Assembly	A5910 1.25	CF18	Main Shaft	E5554 1.70
R18	Cover Plate Screw	B840K .03	CA19	Main Shaft Trip Spring	NE5553 0.05
CM33	Cover Plate Assy., Crank Side Left	.80	C19	Main Shaft Spring	E4432 0.15
CC40	Non-Reverse Pawl Spring	E5992 .10	C21	Spring Retainer Spring	E4475 0.05
CM27	Cover Plate, Opposite Crank Right	.45	C20	Spring Retainer Washer	B4634 .05
BA14	Crank Nut	D4644N .10	C22	Pinion	B4431 .30
CK26	Crank Assembly	.65	C47	Pinion Thrust Washer	B1356 0.05
R40	Crank Stud	B313K .10	CN16	Frame Assembly	3.60
R39	Crank Handle	.30	CC35	"O" Ring	R5675 .10
R43	Drag Star	B5938K .65	CG17	Trip Button	B5983N .25
CC54	Tension Washer	PB5566N .15	CA20	Trip Button Retainer	E4995 .05
C56	Gear Stem Assembly	E5989 .50	CB19	Trip Button Spring	E5929 .03
CL32	Drive Gear	A5957 .45			

DISASSEMBLY and ASSEMBLY INSTRUCTIONS

Twist the Outer Cone Assembly to remove from the Frame. Remove Pickup Nut from Spool Shaft and remove Spool Assembly by sliding forward. To remove Drag Star Assembly for inspection release Crank Nut and remove Handle and Drag Star. Remove Cover Screws from both

sides of Frame and all Gear surfaces are then exposed for cleaning and inspection.

Reassemble in reverse order. When replacing the Outer Cone be sure line is not pinched. Do not force parts as they are machined to close tolerances.

NOTE: When ordering parts, give reel part name, reel number and model.